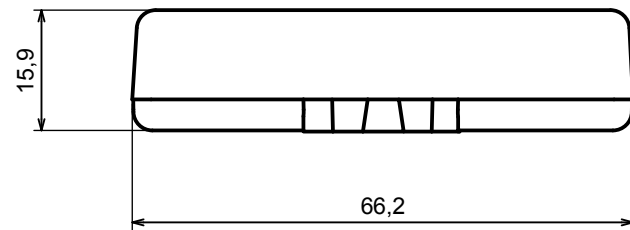
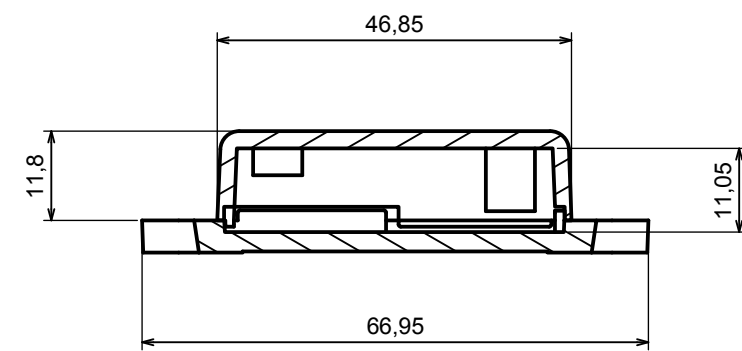


A |



A |

A-A



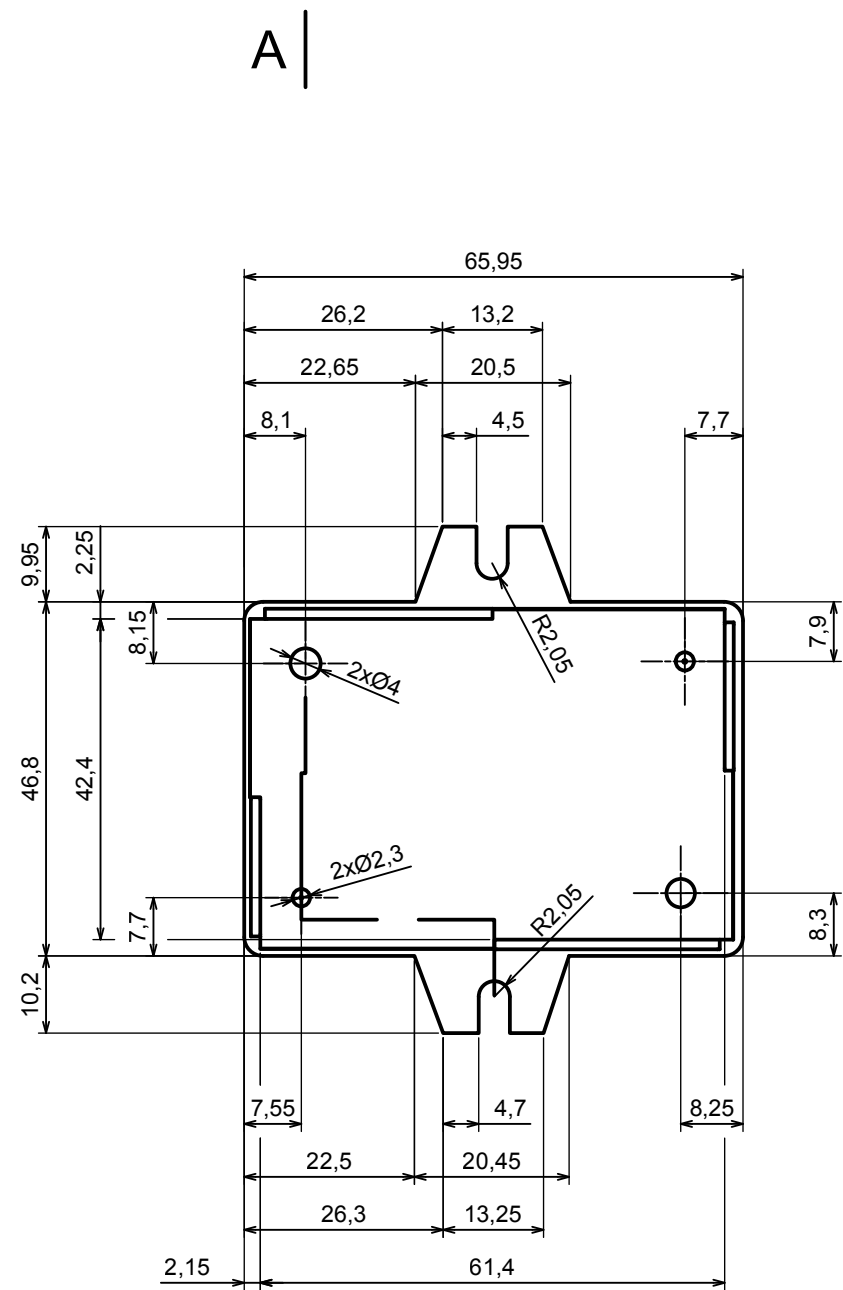
All rights reserved, Copyright Kradex 2016

Product model Enclosure Z24AU - Board

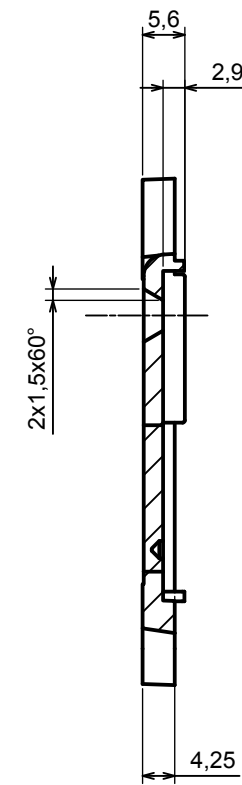
Format: A3 Material: PS, ABS

Scale 1:1 Tolerance: +/- 0.6





A-A



A |

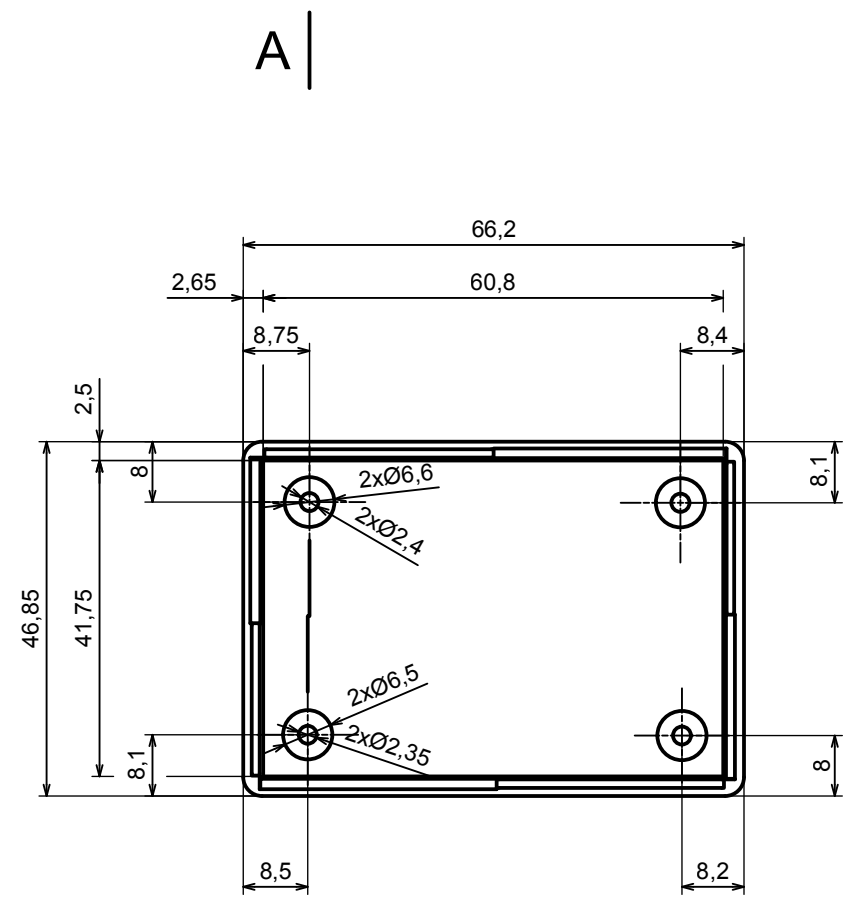
All rights reserved, Copyright Kradox 2016

Product model Enclosure Z24AU - Base

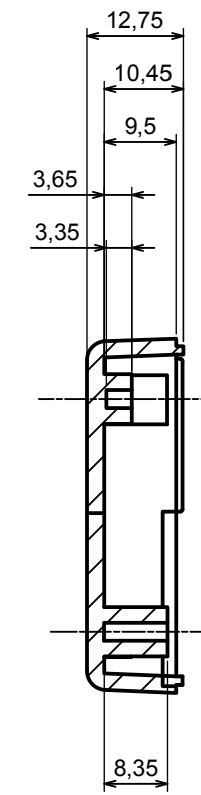
Format: A3 Material: PS, ABS

Scale 1:1 Tolerance: +/- 0.6





A-A



A |

All rights reserved, Copyright Kradex 2016

Product model Enclosure Z24AU - Cover

Format: A3 Material: PS, ABS

Scale 1:1 Tolerance: +/- 0.6

