
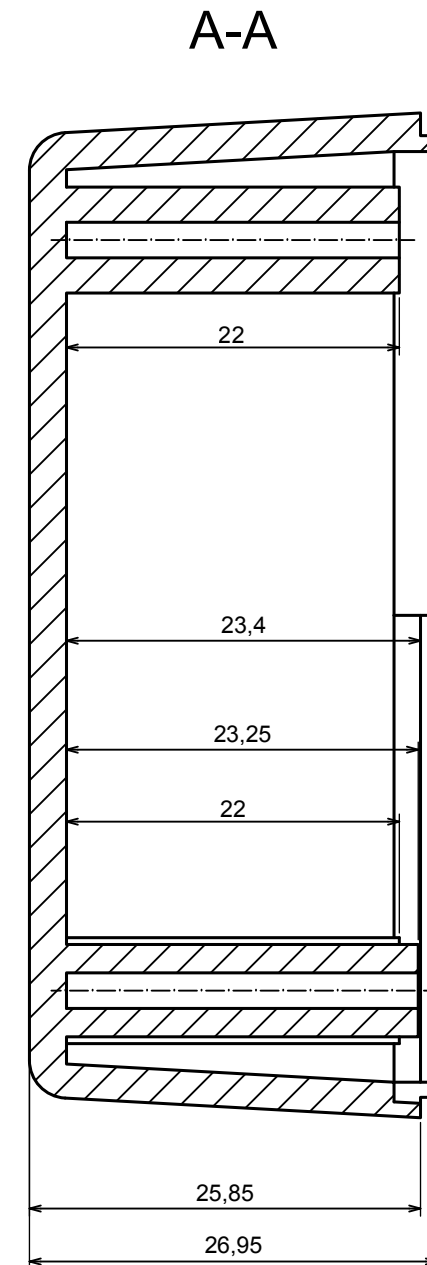
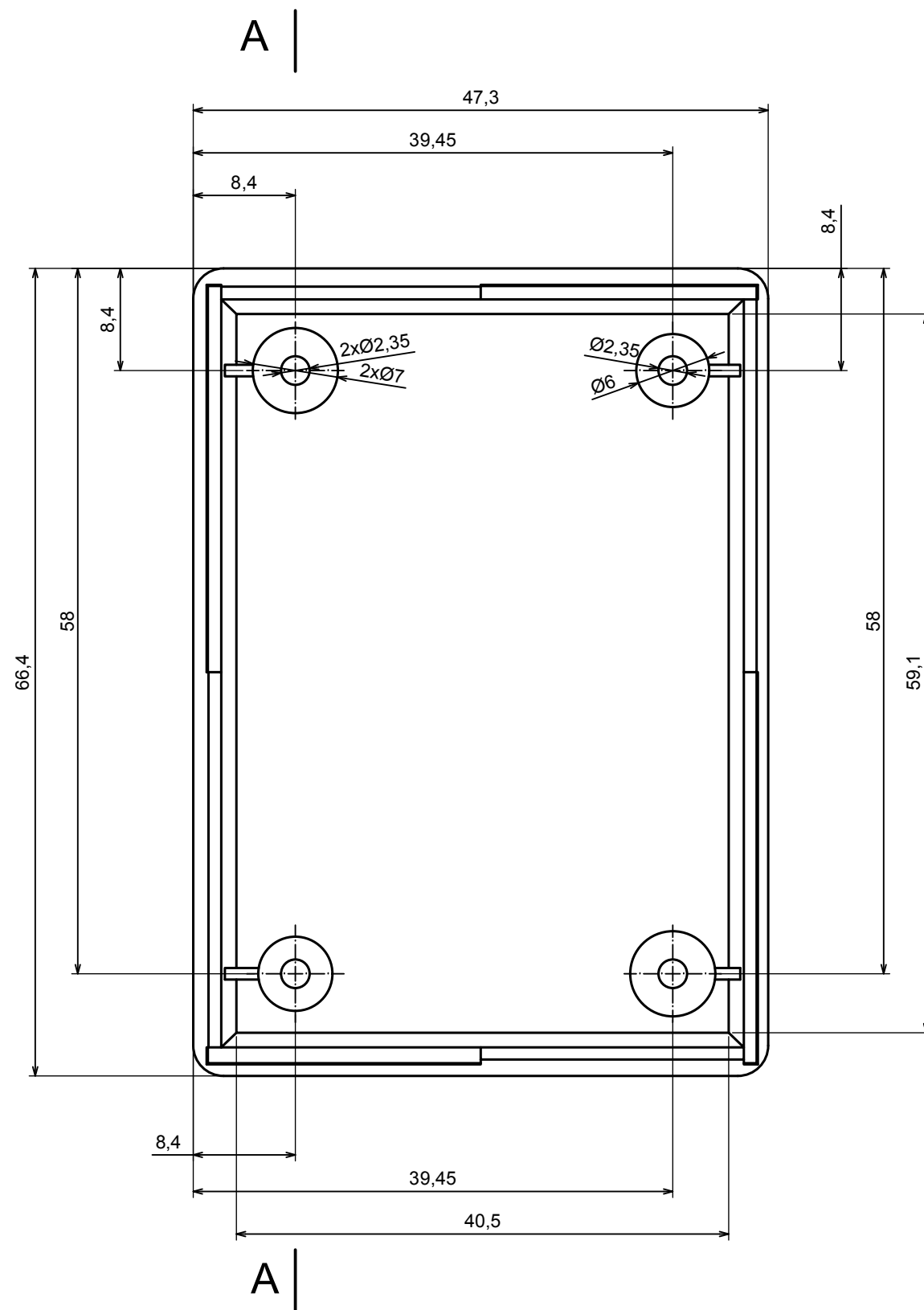


All rights reserved, Copyright Kradex 2016		
Product model	Enclosure Z24 - assembly	
Format: A3	Material: PS, ABS	
Scale 2:1	Tolerance: +/- 0.5	



All rights reserved, Copyright Kradox 2016

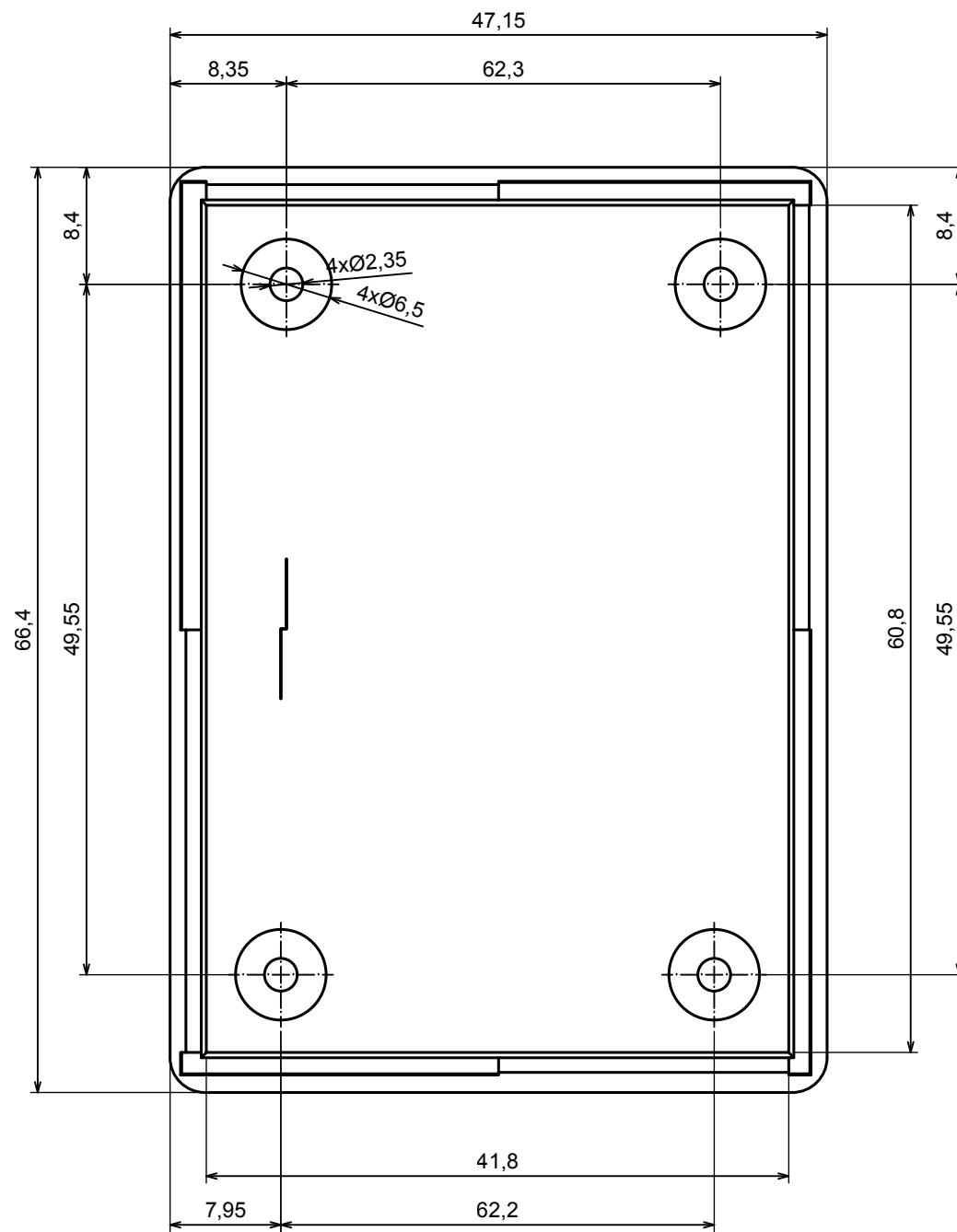
Product model: Enclosure Z24 - base

Format: A3 Material: PS, ABS

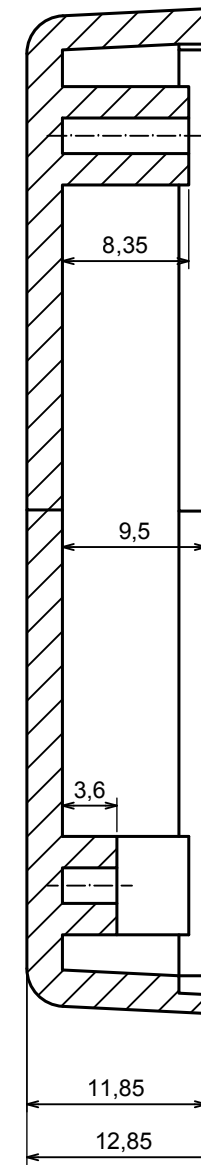
Scale 2:1 Tolerance: +/- 0.5



A |



A-A



A |

All rights reserved, Copyright Kradex 2016	
Product model	Enclosure Z24 - cover
Format: A3	Material: PS, ABS
Scale 2:1	Tolerance: +/- 0.5

