
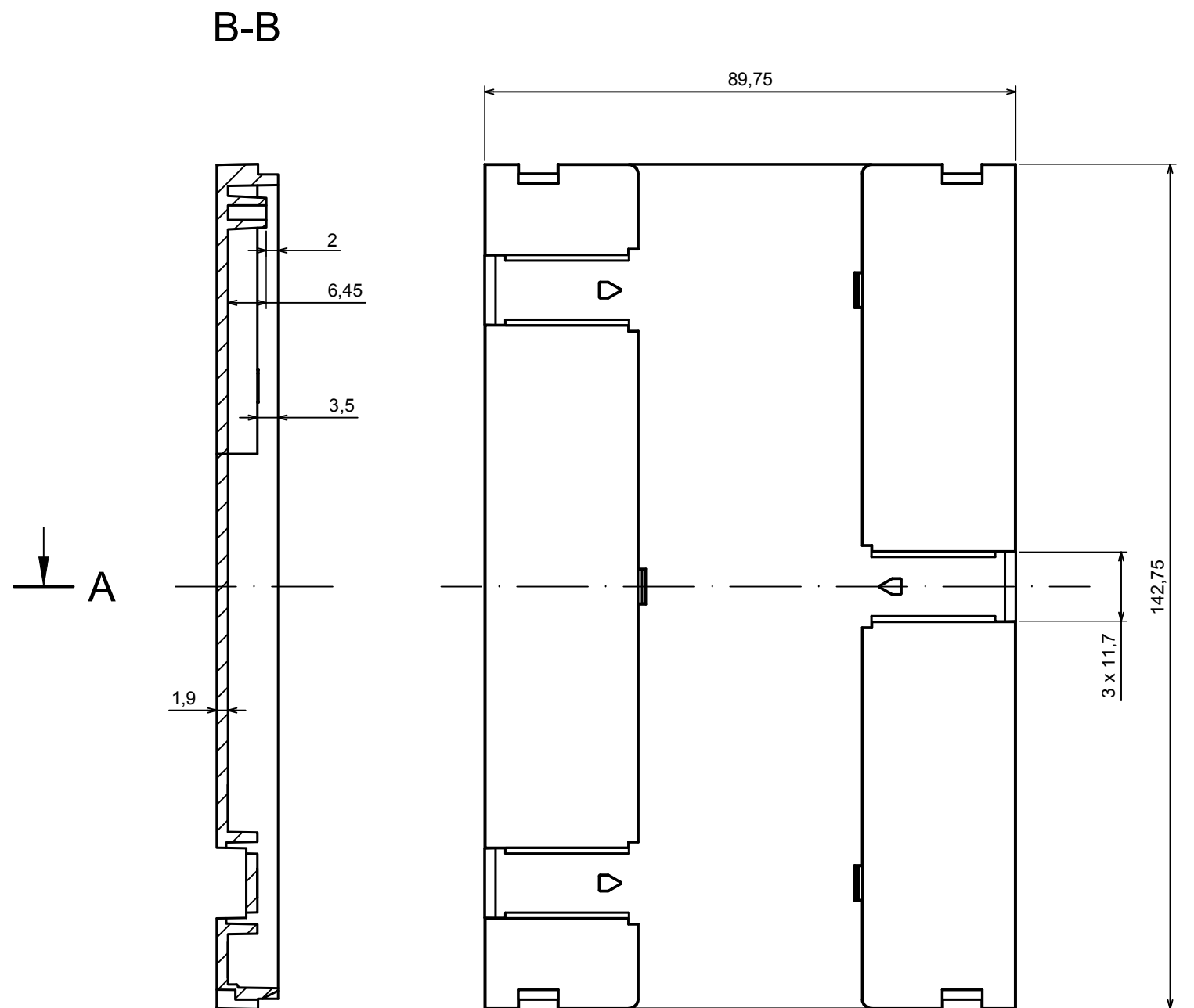
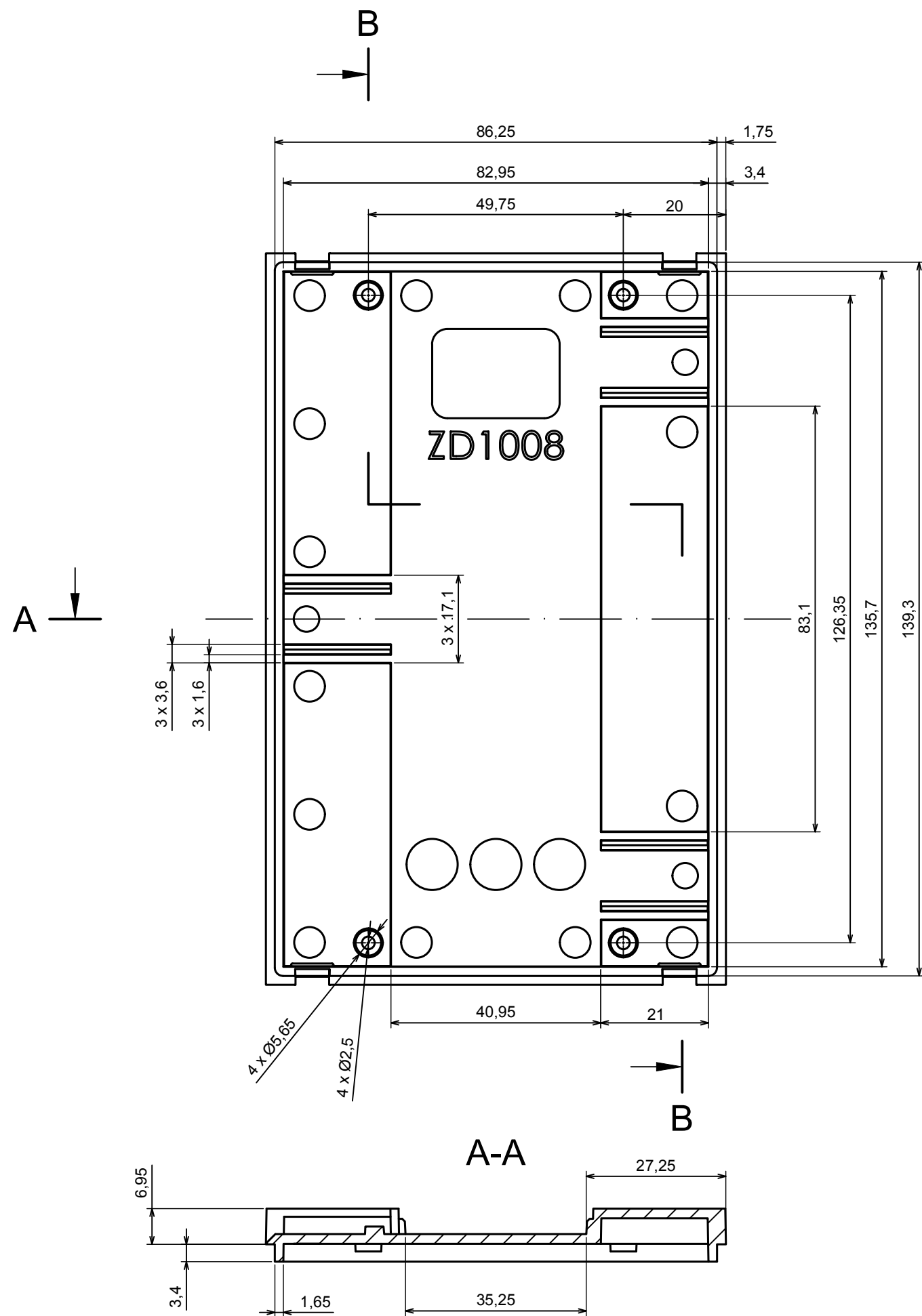


All rights reserved. Copyright Kradox 2021		
Product model	Enclosure ZD1008 - Assembly	
Format: A3	Material: ABS	
Scale 1:1	Tolerance: +/- 0,3	



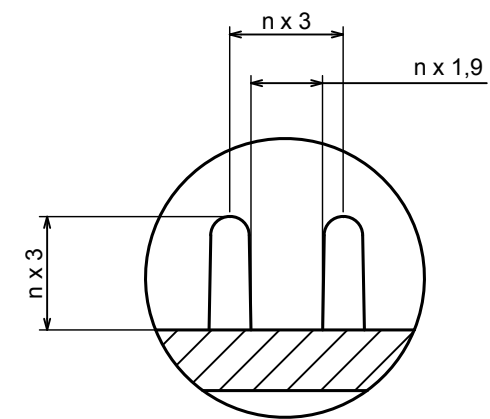
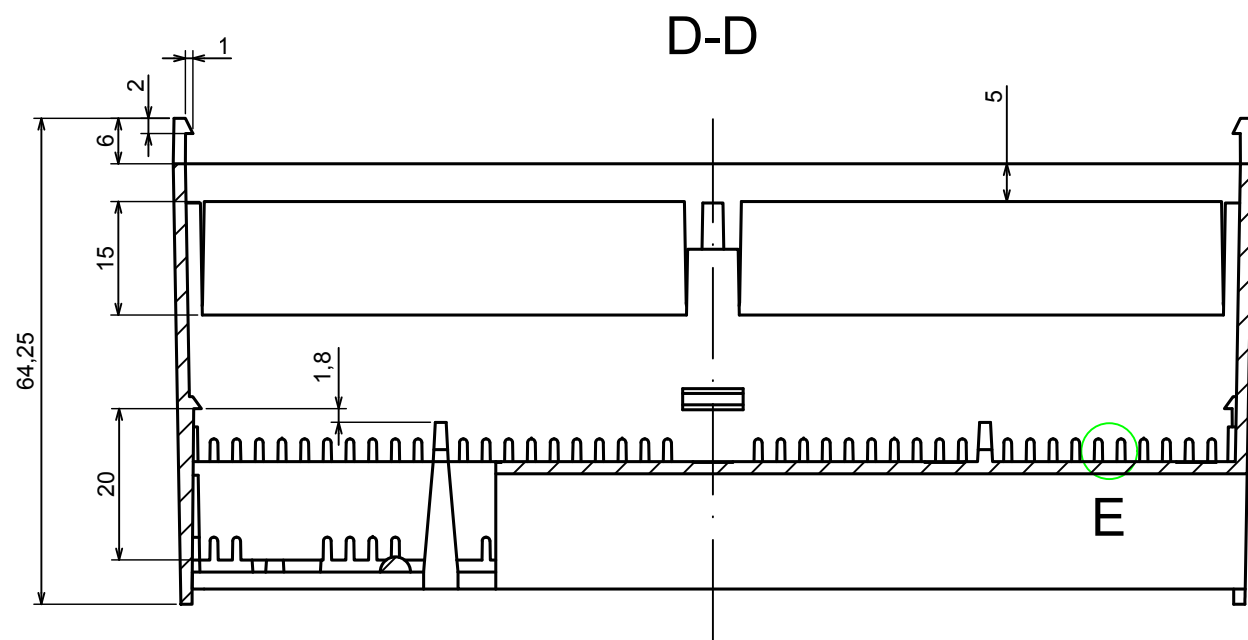
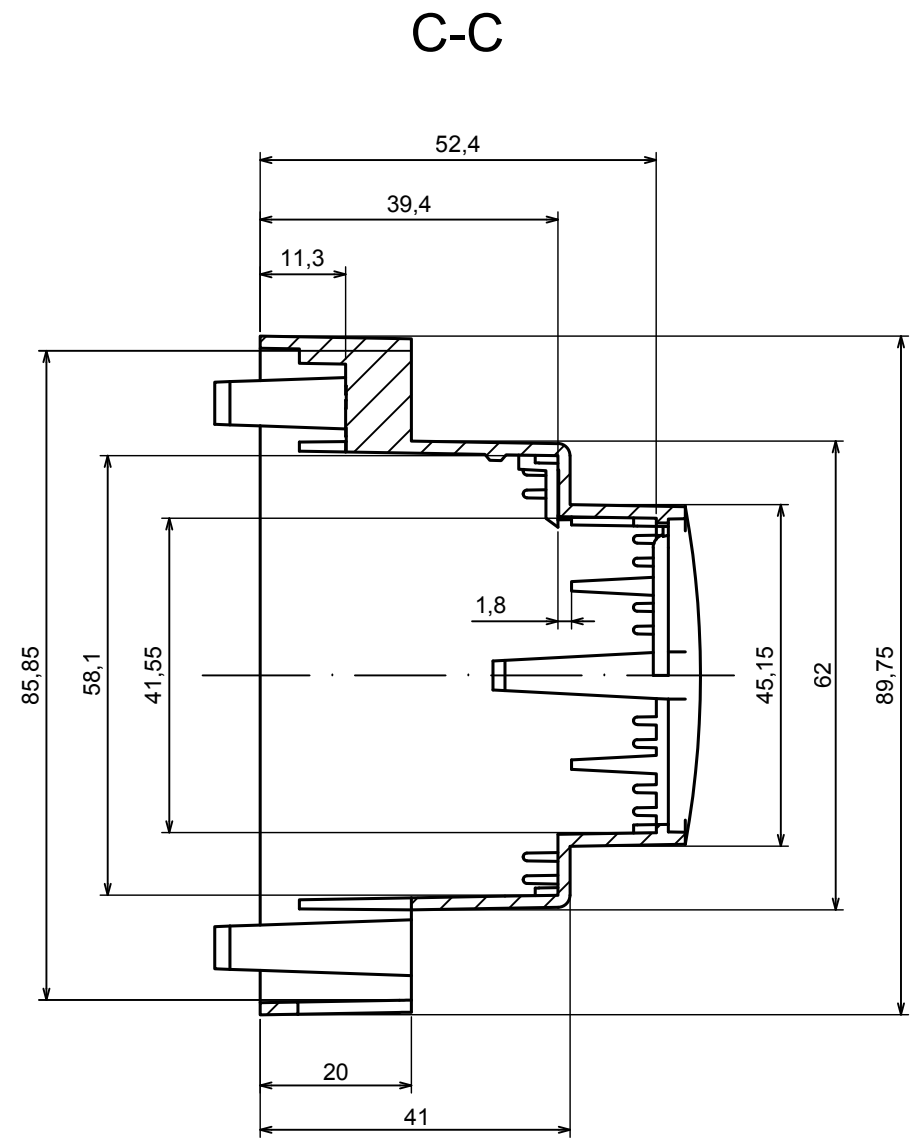
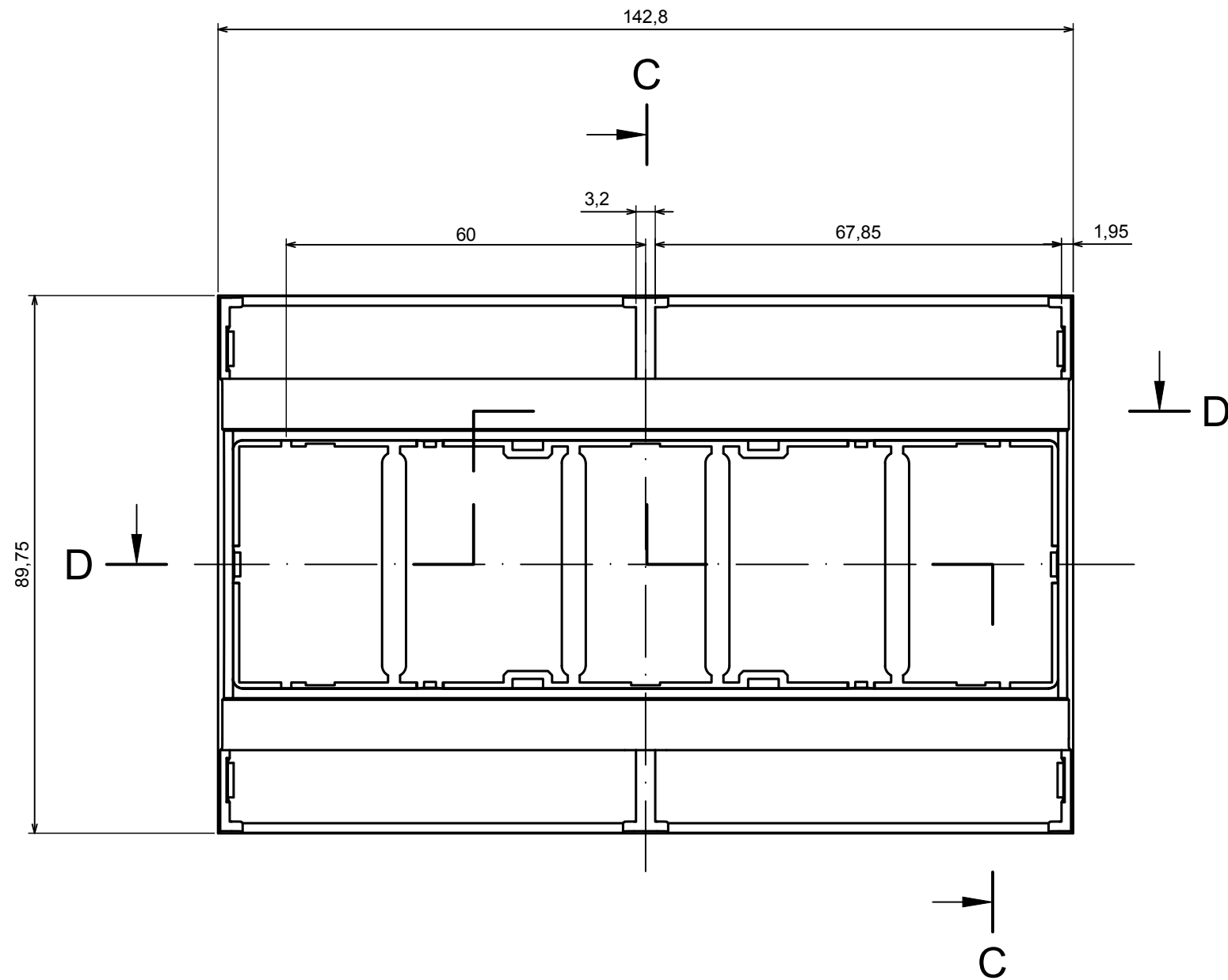
All rights reserved. Copyright Kradox 2021

Product model: Enclosure ZD1008 - Base

Format: A3      Material: ABS

Scale 1:1      Tolerance: +/- 0,3





E (5.0000)

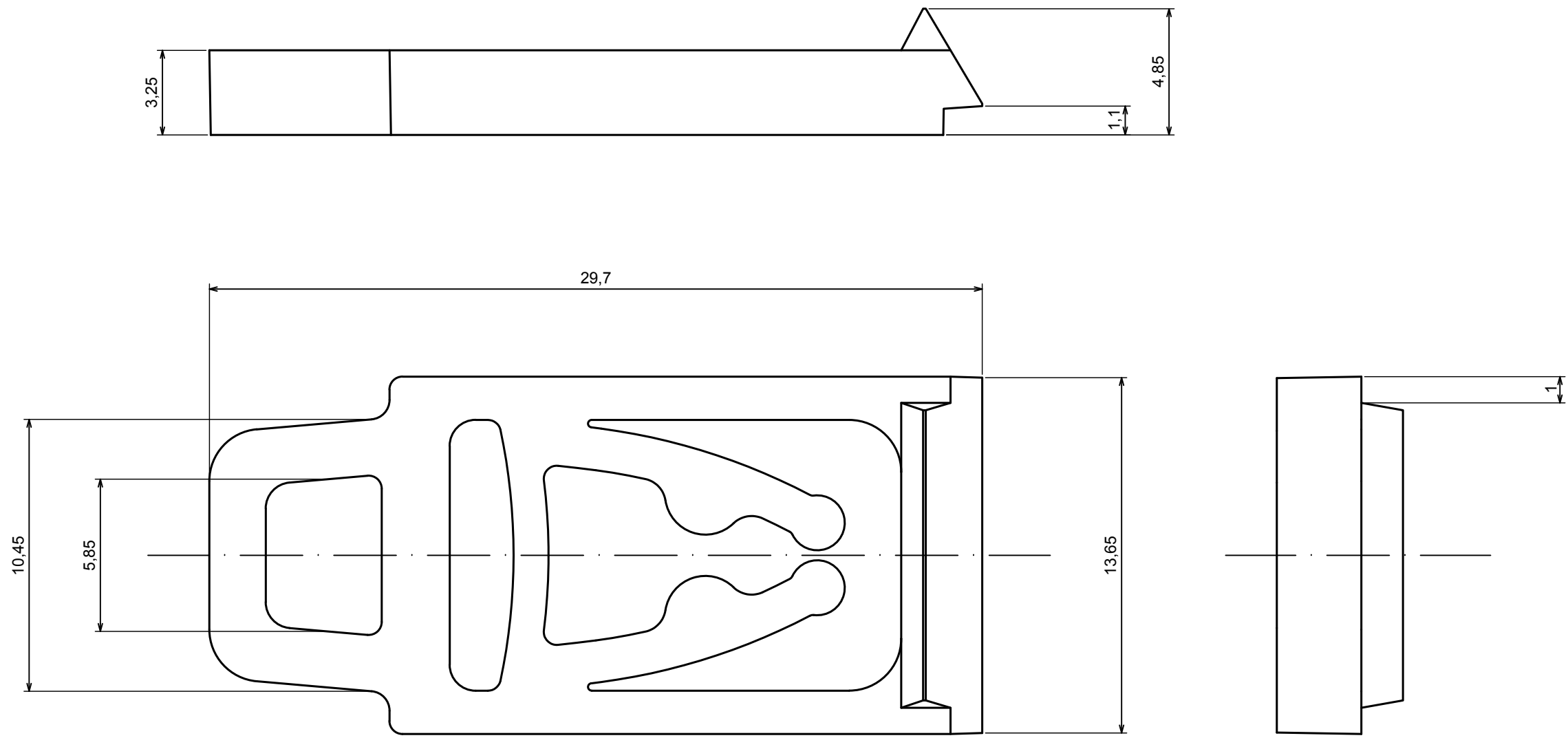
All rights reserved. Copyright Kradox 2021


Product model Enclosure ZD1008 - Cover

Format: A3 Material: ABS

Scale 1:1 Tolerance: +/- 0,3





All rights reserved. Copyright Kradox 2021		
Product model	Enclosure ZD1008 - Hook	
Format: A3	Material: ABS	
Scale 1:1	Tolerance: +/- 0,3	