

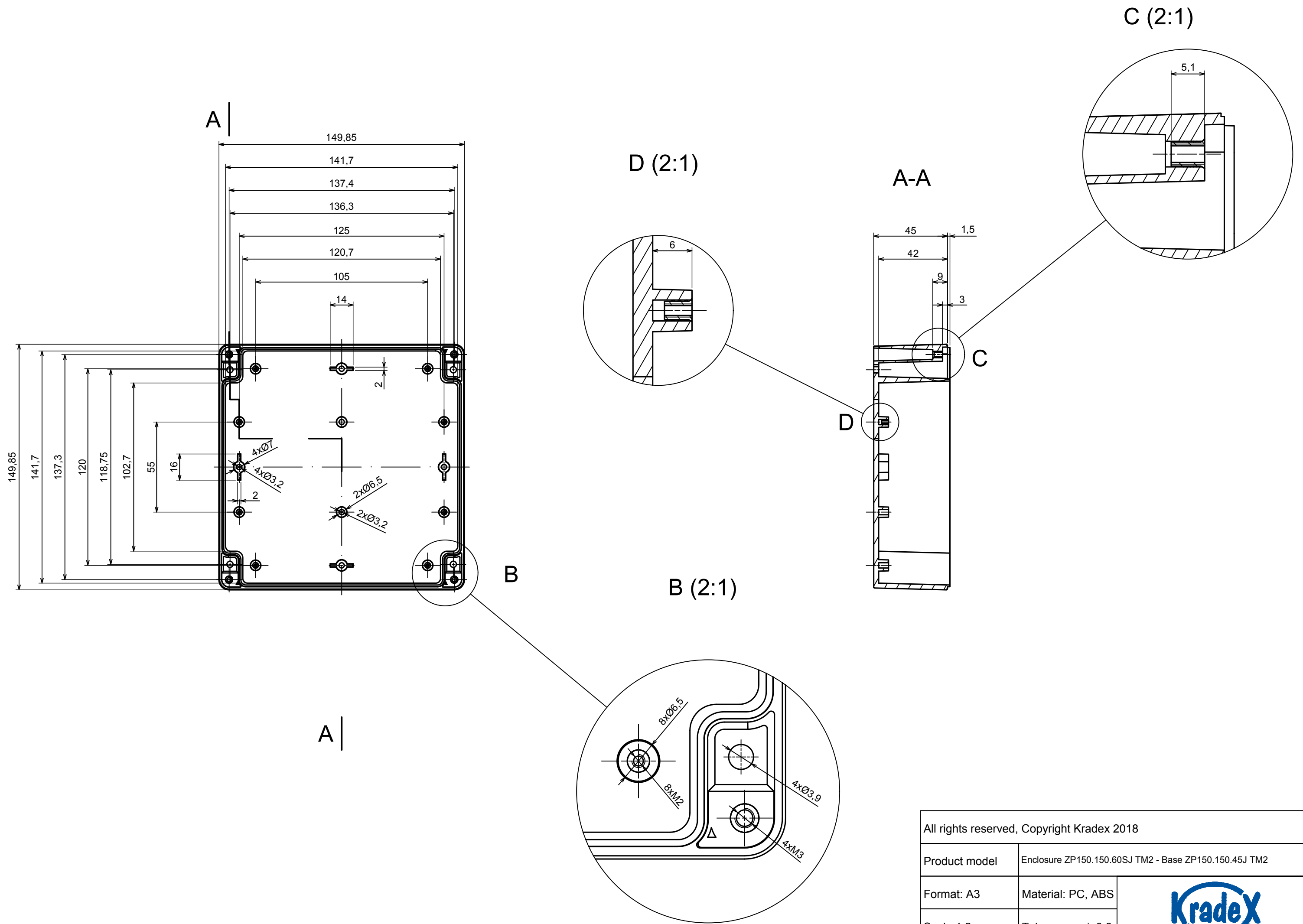
All rights reserved, Copyright Kradox 2018

Product model Enclosure ZP150.150.60SJ TM2 - Assembly

Format: A3 Material: PC, ABS

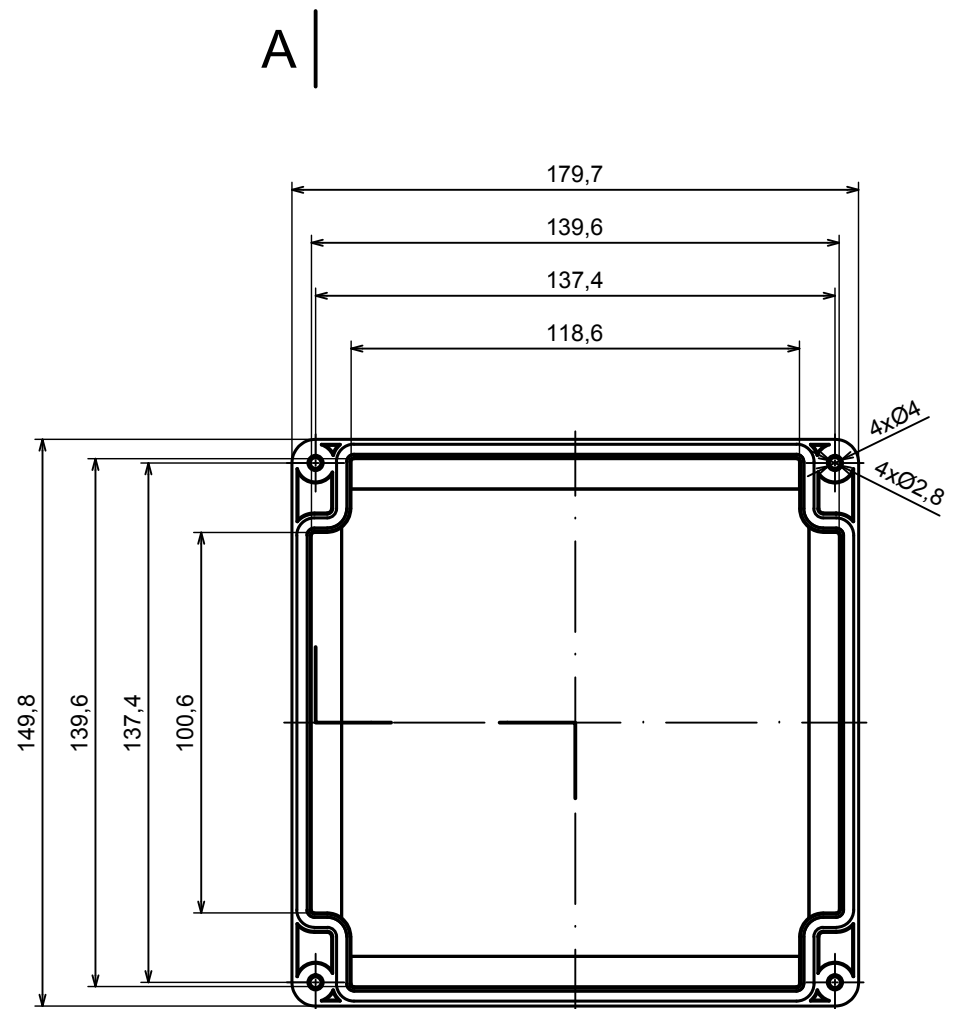
Scale 1:2 Tolerance: +/- 0.6





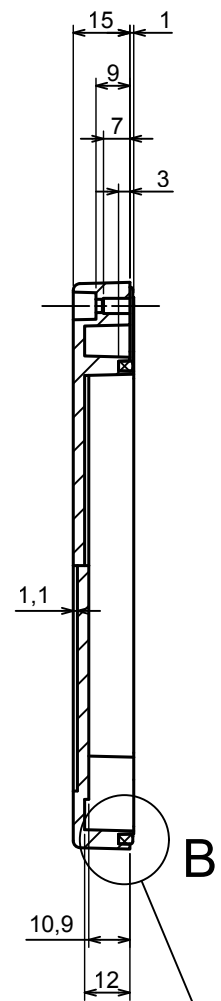
All rights reserved, Copyright Kradox 2018	
Product model	Enclosure ZP150.150.60SJ TM2 - Base ZP150.150.45J TM2
Format: A3	Material: PC, ABS
Scale 1:2	Tolerance: +/- 0.6





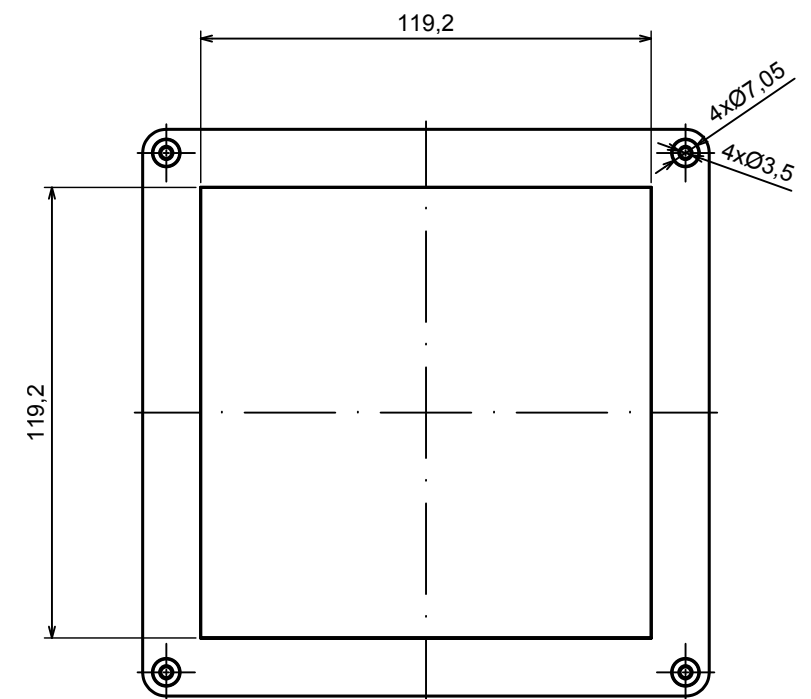
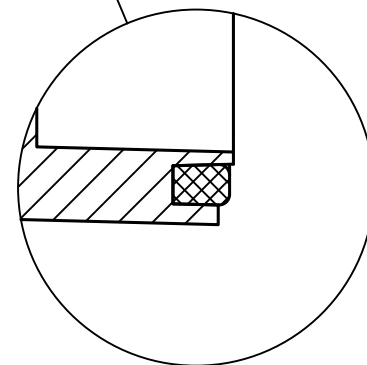
A |

A-A



B

B (2:1)



All rights reserved, Copyright Kradox 2018

Product model Enclosure ZP150.150.60SJ TM2 - Cover ZP150.150.15SJ

Format: A3 Material: PC, ABS

Scale 1:2 Tolerance: +/- 0.6

